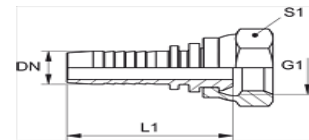


RAKORDERITE E TUBAVE TE GOMES ME FILETA METRIKE

RAKORDERITE ME FILETA METRIKE, tip DKLPN AFL

Cilësitë	
Aplikimi	100 deri në HD 400, tuba KP dhe tuba TE
Lidhja 1	Dado me fileta metrike
Forma e izolimit 1	Kokë konike universale 24°/60°
Kodi i shkurtër	DKL
Seria	E lehtë
Materiali	Çelik
Sipërfaqja	E elektro-galvanizuar



DKL

Kodi	DN	Size	Inches	Presioni i punës (bar)	G1	(mm)	L1 (mm)	S1
PN 04 AFL	5	3	3/16"	250,0	M 12 x 1.5	6	41,2	14
PN 06 AFL 04	6	4	1/4"	250,0	M 12 x 1.5	6	45,0	14
PN 06 AFL	6	4	1/4"	250,0	M 14 x 1.5	8	47,0	17
PN 06 AFL 08	6	4	1/4"	250,0	M 16 x 1.5	10	47,5	19
PN 06 AFL 10	6	4	1/4"	250,0	M 18 x 1.5	12	48,5	22
PN 08 AFL	8	5	5/16"	250,0	M 16 x 1.5	10	47,5	19
PN 08 AFL 10	8	5	5/16"	250,0	M 18 x 1.5	12	48,5	22
PN 10 AFL 06	10	6	3/8"	250,0	M 14 x 1.5	8	49,5	17
PN 10 AFL 08	10	6	3/8"	250,0	M 16 x 1.5	10	49,0	19
PN 10 AFL	10	6	3/8"	250,0	M 18 x 1.5	12	50,0	22
PN 10 AFL 13	10	6	3/8"	250,0	M 22 x 1.5	15	50,5	27
PN 13 AFL	12	8	1/2"	250,0	M 22 x 1.5	15	51,5	27
PN 13 AFL 16	12	8	1/2"	160,0	M 26 x 1.5	18	54,0	32
PN 16 AFL 13	16	10	5/8"	160,0	M 22 x 1.5	15	56,0	27
PN 16 AFL	16	10	5/8"	160,0	M 26 x 1.5	18	58,5	32
PN 20 AFL	19	12	3/4"	160,0	M 30 x 2	22	66,0	36
PN 20 AFL 25	19	12	3/4"	100,0	M 36 x 2	28	67,0	41
PN 25 AFL	25	16	1"	100,0	M 36 x 2	28	75,0	41
PN 32 AFL	31	20	1.1/4"	100,0	M 45 x 2	35	88,0	50
PN 40 AFL	38	24	1.1/2"	100,0	M 52 x 2	42	92,5	60



EMC Engineering Maintenance Center shpk

Tek te dhenat e tubave dhe rakorderive hidraulike, jepet edhe madhesia e tyre, tek kolona me titullin "Size" (Emertimi i sakte eshte "DASH SIZE").

Numri ne fakt tregon numeruesin e thyeses qe per emerues ka numrin 16. Pra per madhesine 2/16 e 1 Inch (ose 1/8) dash size eshte 2.

Inch eshte nje njesi matese e sistemit mbretoror angles

1 Inch = 25,4 mm

Keshtu qe:

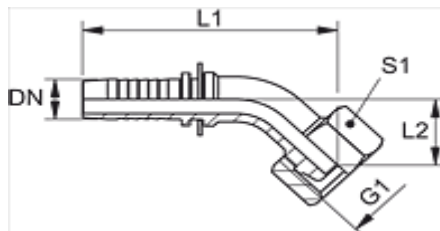
size 3 ► 3/16"

size 4 ► 4/16" (1/4")

size 5 ► 5/16"

e keshtu me rradhe.....

Dash Size	Hose ID.	
	Inches	Millimeter
-2	1/8	3.2
-3	3/16	4.8
-4	1/4	6.4
-5	5/16	7.9
-6	3/8	9.5
-8	1/2	12.7
-10	5/8	15.9
-12	3/4	19
-14	7/8	22.2



DKL

Cilësitë	
Aplikimi	Rakord nipples për t'u presuar, për tuba HD 100 deri në HD 400, tuba KP dhe tuba TE
Lidhja 1	Dado me fileta metrike
Forma e izolimit 1	Kokë konike universale 24°/60°
Kodi i shkurtër	DKL
Seria	E lehtë
Materiali	Çelik
Sipërfaqja	E elektro-galvanizuar

Kodi	DN	Size	Inches	Presioni i punës (bar)	G1	Për tub Ø jashtëm (mm)	L1 (mm)	L2 (mm)	S1
PN 04 AFL 45	5	3	3/16"	250,0	M 12 x 1.5	6	56,0	15,0	14
PN 06 AFL 04 45	6	4	1/4"	250,0	M 12 x 1.5	6	62,0	17,0	14
PN 06 AFL 45	6	4	1/4"	250,0	M 14 x 1.5	8	62,5	14,5	17
PN 06 AFL 08 45	6	4	1/4"	250,0	M 16 x 1.5	10	63,0	15,5	19
PN 06 AFL 10 45	6	4	1/4"	250,0	M 18 x 1.5	12	65,0	15,5	22
PN 08 AFL 45	8	5	5/16"	250,0	M 16 x 1.5	10	64,5	15,0	19
PN 08 AFL 10 45	8	5	5/16"	250,0	M 18 x 1.5	12	65,0	15,5	22
PN 10 AFL 08 45	10	6	3/8"	250,0	M 16 x 1.5	10	72,5	19,5	19
PN 10 AFL 45	10	6	3/8"	250,0	M 18 x 1.5	12	71,0	18,0	22
PN 10 AFL 13 45	10	6	3/8"	250,0	M 22 x 1.5	15	71,5	18,5	27
PN 13 AFL 45	12	8	1/2"	250,0	M 22 x 1.5	15	79,5	18,5	27
PN 13 AFL 16 45	12	8	1/2"	160,0	M 26 x 1.5	18	90,5	24,0	32
PN 16 AFL 45	16	10	5/8"	160,0	M 26 x 1.5	18	95,0	24,0	32
PN 20 AFL 45	19	12	3/4"	160,0	M 30 x 2	22	106,0	27,0	36
PN 20 AFL 25 45	19	12	3/4"	100,0	M 36 x 2	28	124,0	29,5	41
PN 25 AFL 45	25	16	1"	100,0	M 36 x 2	28	132,0	29,5	41
PN 32 AFL 45	31	20	1.1/4"	100,0	M 45 x 2	35	159,0	38,5	50
PN 40 AFL 45	38	24	1.1/2"	100,0	M 52 x 2	42	181,5	42,5	60

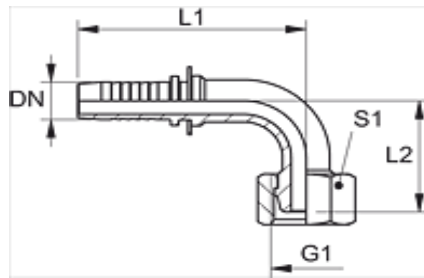


EMC Engineering Maintenance Center shpk

Ne keto tabela me DN tregohet diametri nominal. Pra eshte diametri referues dhe nuk eshte diametri i sakte.

Tek kolona me titull DN tregohet diametri nominal i brendshem i tubit ne te cilin do te futet dhe do te presohet rakordi niples. Keshtu psh: rakordi me kod PN06AFL445 eshte per t'u perdorur tek tubat qe kane diameter te brendshem nominal prej 6 mm.


Pra shihni qe referenca e tubit tregohet edhe me njesine Europiane DN edhe me njesine mbreterore INCH.



DKL

Cilësitë	
Aplikimi	Rakord nipples për t'u presuar, për tuba HD 100 deri në HD 400, tuba KP dhe tuba TE
Lidhja 1	Dado me fileta metrike
Forma e izolimit 1	Kokë konike universale 24°/60°
Kodi i shkurtër	DKL
Seria	E lehtë
Materiali	Çelik
Sipërfaqja	E elektro-galvanizuar

Kodi	DN	Size	Inches	Presioni i punës (bar)	G1	Për tub Ø jashtëm (mm)	L1 (mm)	L2 (mm)	S1
PN 04 AFL 90	5	3	3/16"	250,0	M 12 x 1.5	6	48,5	29,0	14
PN 06 AFL 04 90	6	4	1/4"	250,0	M 12 x 1.5	6	57,0	30,5	14
PN 06 AFL 90	6	4	1/4"	250,0	M 14 x 1.5	8	55,0	30,0	17
PN 06 AFL 08 90	6	4	1/4"	250,0	M 16 x 1.5	10	55,0	31,0	19
PN 06 AFL 10 90	6	4	1/4"	250,0	M 18 x 1.5	12	62,5	35,0	22
PN 08 AFL 90	8	5	5/16"	250,0	M 16 x 1.5	10	58,0	30,0	19
PN 08 AFL 10 90	8	5	5/16"	250,0	M 18 x 1.5	12	58,0	30,5	22
PN 10 AFL 08 90	10	6	3/8"	250,0	M 16 x 1.5	10	63,0	38,0	19
PN 10 AFL 90	10	6	3/8"	250,0	M 18 x 1.5	12	64,0	35,0	22
PN 10 AFL 13 90	10	6	3/8"	250,0	M 22 x 1.5	15	64,0	35,5	27
PN 13 AFL 90	12	8	1/2"	250,0	M 22 x 1.5	15	72,5	39,5	27
PN 13 AFL 16 90	12	8	1/2"	160,0	M 26 x 1.5	18	83,5	49,5	32
PN 16 AFL 13 90	16	10	5/8"	160,0	M 22 x 1.5	15	87,0	49,5	27
PN 16 AFL 90	16	10	5/8"	160,0	M 26 x 1.5	18	88,0	49,5	32
PN 20 AFL 90	19	12	3/4"	160,0	M 30 x 2	22	99,5	54,5	36
PN 25 AFL 90	25	16	1"	100,0	M 36 x 2	28	127,0	66,0	41
PN 32 AFL 90	31	20	1.1/4"	100,0	M 45 x 2	35	132,0	75,0	50
PN 40 AFL 90	38	24	1.1/2"	100,0	M 52 x 2	42	176,5	95,0	60



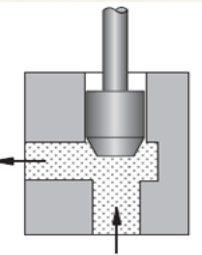
EMC Engineering Maintenance Center shpk

Valvolat hidraulike kane dy menyra dizenjimi:

POPPET

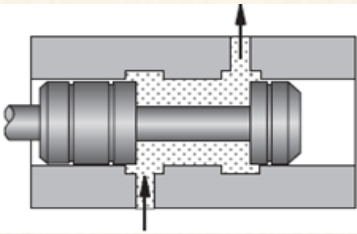
Hapja ose mbyllja e valvoles realizohet me ane te nje elementi bllokues qe mund te jete:

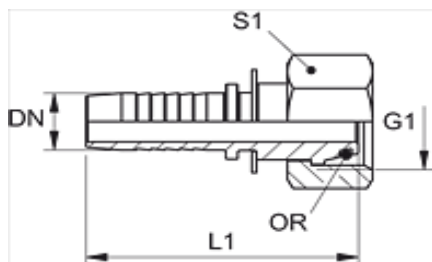
- sferë,
- disk,
- kon.



SLIDE (RRESHQITJE)

Hapja ose mbyllja e valvoles realizohet me ane te nje pistonçini qe rreshqet brenda nje vrime. Kombinimi i kanaleve dhe kreshtave lejon ose jo rrjedhjen e vajit



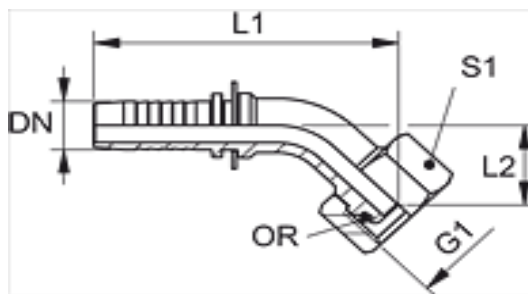


DKOL

Cilësitë

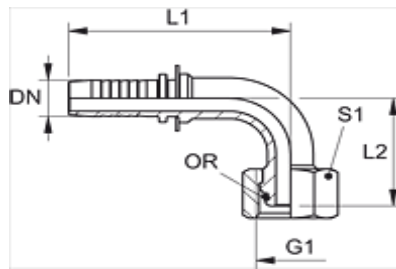
Aplikimi	Rakord nipples për t'u presuar, për tuba HD 100 deri në HD 400, tuba KP dhe tuba TE
Lidhja 1	Dado me fileta metrike
Forma e izolimit 1	Kokë konike universale 24 ⁰ me guarnicion O-Ring
Kodi i shkurtër	DKOL
Standarti	ISO 8434-1
Seria	E lehtë
Materiali	Çelik
Sipërfaqja	E elektro-galvanizuar

Kodi	DN	Size	Inches	Presioni i punës (bar)	G1	Për tub Ø jashtëm (mm)	L1 (mm)	L2 (mm)	OR
PN 04 AOL	5	3	3/16"	410,0	M 12 x 1.5	6	45,5	14	4.0 x 1.5
PN 04 AOL 06	5	3	3/16"	410,0	M 14 x 1.5	8	45,5	17	6.0 x 1.5
PN 04 AOL 08	5	3	3/16"	350,0	M 16 x 1.5	10	46,0	19	7.5 x 1.5
PN 06 AOL 04	6	4	1/4"	410,0	M 12 x 1.5	6	46,5	14	4.0 x 1.5
PN 06 AOL	6	4	1/4"	410,0	M 14 x 1.5	8	52,0	17	6.0 x 1.5
PN 06 AOL 08	6	4	1/4"	350,0	M 16 x 1.5	10	52,0	19	7.5 x 1.5
PN 06 AOL 10	6	4	1/4"	330,0	M 18 x 1.5	12	53,0	22	9.0 x 1.5
PN 08 AOL 06	8	5	5/16"	350,0	M 14 x 1.5	8	47,0	17	6.0 x 1.5
PN 08 AOL	8	5	5/16"	350,0	M 16 x 1.5	10	52,0	19	7.5 x 1.5
PN 08 AOL 10	8	5	5/16"	330,0	M 18 x 1.5	12	53,0	22	9.0 x 1.5
PN 10 AOL 06	10	6	3/8"	330,0	M 14 x 1.5	8	50,5	17	6.0 x 1.5
PN 10 AOL 08	10	6	3/8"	330,0	M 16 x 1.5	10	51,5	19	7.5 x 1.5
PN 10 AOL	10	6	3/8"	330,0	M 18 x 1.5	12	54,5	22	9.0 x 1.5
PN 10 AOL 13	10	6	3/8"	275,0	M 22 x 1.5	15	56,5	27	12.0 x 2.0
PN 13 AOL 10	12	8	1/2"	275,0	M 18 x 1.5	12	54,5	22	9.0 x 1.5
PN 13 AOL	12	8	1/2"	275,0	M 22 x 1.5	15	57,5	27	12.0 x 2.0
PN 13 AOL 16	12	8	1/2"	250,0	M 26 x 1.5	18	59,0	32	15.0 x 2.0
PN 16 AOL 13	16	10	5/8"	250,0	M 22 x 1.5	15	58,0	27	12.0 x 2.0
PN 16 AOL	16	10	5/8"	250,0	M 26 x 1.5	18	64,0	32	15.0 x 2.0
PN 16 AOL 20	16	10	5/8"	215,0	M 30 x 2	22	64,5	36	20.0 x 2.0
PN 20 AOL 16	19	12	3/4"	215,0	M 26 x 1.5	18	66,5	32	15.0 x 2.0
PN 20 AOL	19	12	3/4"	215,0	M 30 x 2	22	71,0	36	20.0 x 2.0
PN 20 AOL 25	19	12	3/4"	165,0	M 36 x 2	28	73,0	41	26.0 x 2.0
PN 25 AOL 20	25	16	1"	165,0	M 30 x 2	22	75,5	36	20.0 x 2.0
PN 25 AOL	25	16	1"	165,0	M 36 x 2	28	81,0	41	26.0 x 2.0
PN 25 AOL 32	25	16	1"	160,0	M 45 x 2	35	85,5	50	32.0 x 2.5
PN 32 AOL 25	31	20	1.1/4"	160,0	M 36 x 2	28	87,0	41	26.0 x 2.0
PN 32 AOL	31	20	1.1/4"	160,0	M 45 x 2	35	94,5	50	32.0 x 2.5
PN 32 AOL 40	31	20	1.1/4"	160,0	M 52 x 2	42	94,5	60	38.0 x 2.5
PN 40 AOL 32	38	24	1.1/2"	160,0	M 45 x 2	35	94,0	50	32.0 x 2.5
PN 40 AOL	38	24	1.1/2"	160,0	M 52 x 2	42	98,0	60	38.0 x 2.5
PN 50 AOL 40	51	32	2"	-	M 52 x 2	42	112,5	60	38.0 x 2.5


DKOL

Cilësitë	
Aplikimi	Rakord nipples për t'u presuar, për tuba HD 100 deri në HD 400, tuba KP dhe tuba TE
Lidhja 1	Dado me fileta metrike
Forma e izolimit 1	Kokë konike universale 24° me garnicion O-Ring
Kodi i shkurtër	DKOL
Standarti	ISO 8434-1
Seria	E lehtë
Materiali	Çelik
Sipërfaqja	E elektro-galvanizuar

Kodi	DN	Size	Inches	Presioni i punës (bar)	G1	Për tub Ø jashtëm (mm)	L1 (mm)	L2 (mm)	OR
PN 04 AOL 06 45	5	3	3/16"	400,0	M 14 x 1.5	8	57,0	15,0	6.0 x 1.5
PN 04 AOL 45	5	3	3/16"	415,0	M 12 x 1.5	6	56,0	15,0	4.0 x 1.5
PN 04 AOL 08 45	5	3	3/16"	350,0	M 16 x 1.5	10	58,5	17,0	7.5 x 1.5
PN 06 AOL 04 45	6	4	1/4"	400,0	M 12 x 1.5	6	62,0	17,0	4.0 x 1.5
PN 06 AOL 45	6	4	1/4"	400,0	M 14 x 1.5	8	63,0	15,0	6.0 x 1.5
PN 06 AOL 08 45	6	4	1/4"	350,0	M 16 x 1.5	10	64,5	17,0	7.5 x 1.5
PN 06 AOL 10 45	6	4	1/4"	330,0	M 18 x 1.5	12	71,0	19,5	9.0 x 1.5
PN 08 AOL 06 45	8	5	5/16"	350,0	M 14 x 1.5	8	62,0	16,5	6.0 x 1.5
PN 08 AOL 45	8	5	5/16"	350,0	M 16 x 1.5	10	66,0	16,5	7.5 x 1.5
PN 08 AOL 10 45	8	5	5/16"	330,0	M 18 x 1.5	12	71,0	19,5	9.0 x 1.5
PN 10 AOL 08 45	10	6	3/8"	330,0	M 16 x 1.5	10	74,0	22,0	7.5 x 1.5
PN 10 AOL 45	10	6	3/8"	-	M 18 x 1.5	12	72,5	19,5	9.0 x 1.5
PN 10 AOL 13 45	10	6	3/8"	275,0	M 22 x 1.5	15	80,0	20,0	12.0 x 2.0
PN 13 AOL 10 45	12	8	1/2"	275,0	M 18 x 1.5	12	80,0	24,5	9.0 x 1.5
PN 13 AOL 45	12	8	1/2"	275,0	M 22 x 1.5	15	81,0	20,0	12.0 x 2.0
PN 13 AOL 16 45	12	8	1/2"	250,0	M 26 x 1.5	18	91,5	24,5	15.0 x 2.0
PN 16 AOL 13 45	16	10	5/8"	250,0	M 22 x 1.5	15	84,5	24,5	12.0 x 2.0
PN 16 AOL 45	16	10	5/8"	250,0	M 26 x 1.5	18	96,0	24,5	15.0 x 2.0
PN 16 AOL 20 45	16	10	5/8"	215,0	M 30 x 2	22	99,5	27,0	20.0 x 2.0
PN 20 AOL 16 45	19	12	3/4"	215,0	M 26 x 1.5	18	101,5	27,0	15.0 x 2.0
PN 20 AOL 45	19	12	3/4"	215,0	M 30 x 2	22	106,0	27,0	20.0 x 2.0
PN 20 AOL 25 45	19	12	3/4"	165,0	M 36 x 2	28	124,0	29,5	26.0 x 2.0
PN 25 AOL 20 45	25	16	1"	165,0	M 30 x 2	22	113,0	29,5	20.0 x 2.0
PN 25 AOL 45	25	16	1"	165,0	M 36 x 2	28	132,0	29,5	26.0 x 2.0
PN 25 AOL 32 45	25	16	1"	160,0	M 45 x 2	35	150,0	38,5	32.0 x 2.5
PN 32 AOL 25 45	31	20	1.1/4"	160,0	M 36 x 2	28	140,0	38,5	26.0 x 2.0
PN 32 AOL 45	31	20	1.1/4"	160,0	M 45 x 2	35	159,0	38,5	32.0 x 2.5
PN 40 AOL 45	38	24	1.1/2"	160,0	M 52 x 2	42	181,5	42,5	38.0 x 2.5

RAKORDERITE ME FILETA METRIKE, tip DKOL 90° (PN AOL 90)

DKOL
Cilësitë

Aplikimi	Rakord nipples për t'u presuar, për tuba HD 100 deri në HD 400, tuba KP dhe tuba TE
Lidhja 1	Dado me fileta metrike
Forma e izolimit 1	Kokë konike universale 24° me garnicion O-Ring
Kodi i shkurtër	DKOL
	ISO 8434-1
Seria	E lehtë
Materiali	Çelik
Sipërfaqja	E elektro-galvanizuar

Kodi	DN	Size	Inches	Presioni i punës (bar)	G1	Për tub Ø jashtëm (mm)	L1 (mm)	L2 (mm)	OR
PN 04 AOL 90	5	3	3/16"	415,0	M 12 x 1.5	6	48,5	29,0	4.0 x 1.5
PN 04 AOL 06 90	5	3	3/16"	400,0	M 14 x 1.5	10	49,0	33,0	6.0 x 1.5
PN 04 AOL 08 90	5	3	3/16"	350,0	M 16 x 1.5	10	49,0	33,0	7.5 x 1.5
PN 06 AOL 04 90	6	4	1/4"	400,0	M 12 x 1.5	6	57,0	30,5	4.0 x 1.5
PN 06 AOL 90	6	4	1/4"	400,0	M 14 x 1.5	8	55,0	30,5	6.0 x 1.5
PN 06 AOL 90 L50	6	4	1/4"	400,0	M 14 x 1.5	8	55,0	50,0	6.0 x 1.5
PN06AOL90L55	6	4	1/4"	400,0	M 14 x 1.5	8	55,0	55,0	6.0 x 1.5
PN 06 AOL 08 90	6	4	1/4"	350,0	M 16 x 1.5	10	55,0	33,0	7.5 x 1.5
PN06AOL0890L60	6	4	1/4"	350,0	M 16 x 1.5	10	55,0	60,0	7.5 x 1.5
PN 06 AOL 10 90	6	4	1/4"	330,0	M 18 x 1.5	12	62,5	32,0	9.0 x 1.5
PN 08 AOL 06 90	8	5	5/16"	350,0	M 14 x 1.5	8	54,0	31,5	6.0 x 1.5
PN 08 AOL 90	8	5	5/16"	350,0	M 16 x 1.5	10	58,0	31,5	7.5 x 1.5
PN 08 AOL 90L36	8	5	5/16"	350,0	-	10	58,0	36,0	7.5 x 1.5
PN 08 AOL 90 L42	8	5	5/16"	350,0	M 16 x 1.5	10	58,0	42,0	7.5 x 1.5
PN 08 AOL 10 90	8	5	5/16"	330,0	M 18 x 1.5	12	58,0	32,5	9.0 x 1.5
PN 10 AOL 08 90	10	6	3/8"	330,0	M 16 x 1.5	10	63,0	40,5	7.5 x 1.5
PN 10 AOL 90	10	6	3/8"	330,0	M 18 x 1.5	12	64,0	37,0	9.0 x 1.5
PN 10 AOL 90 L50	10	6	3/8"	330,0	M 18 x 1.5	12	64,0	50,0	9.0 x 1.5
PN 10 AOL 90 L60	10	6	3/8"	330,0	M 18 x 1.5	12	64,0	60,0	9.0 x 1.5
PN 10 AOL 90 L70	10	6	3/8"	330,0	M 18 x 1.5	-	64,0	70,0	9.0 x 1.5
PN 10 AOL 90 L75	10	6	3/8"	330,0	M 18 x 1.5	12	64,0	75,0	9.0 x 1.5
PN 10 AOL 13 90	10	6	3/8"	275,0	M 22 x 1.5	15	71,5	41,5	12.0 x 2.0
PN 13 AOL 10 90	12	8	1/2"	275,0	M 18 x 1.5	12	71,5	50,5	9.0 x 1.5
PN 13 AOL 90	12	8	1/2"	275,0	M 22 x 1.5	15	72,5	41,5	12.0 x 2.0
PN 13 AOL 90 L60	12	8	1/2"	275,0	M 22 x 1.5	15	88,0	60,0	12.0 x 2.0
PN 13 AOL 90 L77	12	8	1/2"	275,0	M 22 x 1.5	15	72,5	77,0	12.0 x 2.0
PN 13 AOL 16 90	12	8	1/2"	250,0	M 26 x 1.5	18	83,5	50,5	15.0 x 2.0
PN 16 AOL 13 90	16	10	5/8"	250,0	M 22 x 1.5	15	87,0	50,5	12.0 x 2.0
PN 16 AOL 90	16	10	5/8"	250,0	M 26 x 1.5	18	88,0	50,5	15.0 x 2.0
PN 16 AOL 90 L60	16	10	5/8"	250,0	M 26 x 1.5	18	88,0	60,0	15.0 x 2.0
PN 16 AOL 90 L75	16	10	5/8"	250,0	M 26 x 1.5	18	88,0	75,0	15.0 x 2.0
PN 16 AOL 20 90	16	10	5/8"	215,0	M 30 x 2	22	93,0	54,5	20.0 x 2.0
PN 20 AOL 16 90	19	12	3/4"	215,0	M 26 x 1.5	18	93,5	66,0	15.0 x 2.0

Kodi	DN	Size	Inches	Presioni i punës (bar)	G1	Për tub Ø jashtëm (mm)	L1 (mm)	L2 (mm)	OR
PN 20 AOL 90	19	12	3/4"	215,0	M 30 x 2	22	99,5	54,5	20.0 x 2.0
PN 20 AOL 90 L60	19	12	3/4"	215,0	M 30 x 2	22	109,0	60,0	20.0 x 2.0
PN 20 AOL 90 L75	19	12	3/4"	215,0	M 30 x 2	22	111,0	75,0	20.0 x 2.0
PN 20AOL90L100	19	12	3/4"	215,0	M 30 x 2	22	109,0	100,0	20.0 x 2.0
PN 20AOL90L120	19	12	3/4"	215,0	M 30 x 2	22	111,0	120,0	20.0 x 2.0
PN 20 AOL 25 90	19	12	3/4"	165,0	M 36 x 2	28	119,0	66,0	26.0 x 2.0
PN 25 AOL 20 90	25	16	1"	165,0	M 30 x 2	22	106,5	66,0	20.0 x 2.0
PN 25 AOL 90	25	16	1"	165,0	M 36 x 2	28	127,0	66,0	26.0 x 2.0
PN 25 AOL 90 L72	25	16	1"	165,0	M 36 x 2	28	125,0	72,0	26.0 x 2.0
PN25AOL90L100	25	16	1"	165,0	M 36 x 2	28	125,0	100,0	26.0 x 2.0
PN25AOL90L150	25	16	1"	165,0	M 36 x 2	28	125,0	150,0	26.0 x 2.0
PN 25 AOL 32 90	25	16	1"	160,0	M 45 x 2	35	142,5	82,0	32.0 x 2.5
PN 32 AOL 25 90	31	20	1.1/4"	160,0	M 36 x 2	28	135,0	82,0	26.0 x 2.0
PN 32 AOL 90	31	20	1.1/4"	160,0	M 45 x 2	35	151,5	82,0	32.0 x 2.5
PN 32 AOL 90 L98	31	20	1.1/4"	160,0	M 45 x 2	35	144,0	98,0	32.0 x 2.5
PN 32 AOL 40 90	31	20	1.1/4"	160,0	M 52 x 2	42	173,0	95,0	38.0 x 2.5
PN 40 AOL 32 90	38	24	1.1/2"	160,0	M 45 x 2	35	154,0	95,0	32.0 x 2.5
PN 40 AOL 90	38	24	1.1/2"	160,0	M 52 x 2	42	176,5	95,0	38.0 x 2.5



EMC Engineering Maintenance Center shpk

Rakorderite me fileta METRIKE jane te grupuara ne 2 seri

- SERIA E LEHTE
- SERIA E RENDE

Eshte shume e rendesishme te dihet ky fakt pasi rakorderite e serise se lehte nuk montohen me rakorderite e serise se rende.

Pra nese nje rakord i nje blloku hidraulik eshte i serise se rende, atehere nese tubi prodhohet me rakord niples te serise se lehte nuk do te mund te realizohet dot lidhja.

Dimensionet dhe presioni i punes "Seria e Lehte"			
Diametri i jashtem Tubi	Filetat Metrike	Diametri nominal DN	Presioni i punes Bar
6	12x1,5	4	250
8	14x1,5	6	
10	16x1,5	8	
12	18x1,5	10	

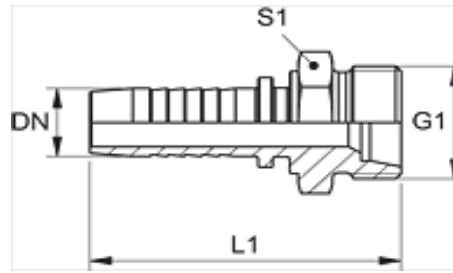
Dimensionet dhe presioni i punes "Seria e Rende"			
Diametri i jashtem Tubi	Filetat Metrike	Diametri nominal DN	Presioni i Punes Bar
6	14x1,5	3	630
8	16x1,5	4	
10	18x1,5	6	
12	20x1,5	8	

Nese deshironi te mesoni te identifikoni sakte rakorderite qe perdoren ne sistemet hidraulike, EMC shpk zoteron materiale te shumta dhe njohurite e duhura per t'ua permbushur kete deshire.

Identifikimi i sakte i rakorderive te sistemeve hidraulike Ju kursen kohe dhe para.

Nese doni te mesoni, mos hezitoni. Kontaktoni EMC shpk ne adresen e.ndreu@emc.com.al

Ne ju mirepresim.

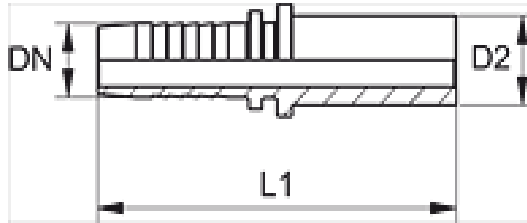


CEL

Cilësitë	
Aplikimi	Rakord nipples për t'u presuar, për tuba HD 100 deri në HD 400, tuba KP dhe tuba TE
Lidhja 1	Fileta metrike mashkull
Forma e izolimit 1	Fole konike 24°
Kodi i shkurtër	CEL
Standarti	ISO 8434-1
Seria	E lehtë
Materiali	Çelik
Sipërfaqja	E elektro-galvanizuar

Kodi	DN	Size	Inches	Presioni i punës (bar)	G1	Për tub Ø jashtëm (mm)	L1 (mm)	S1
PN 04 HL	5	3	3/16"	415,0	M 12 x 1.5	6	43,0	14
PN 06 HL 04	6	4	1/4"	400,0	M 12 x 1.5	6	49,0	14
PN 06 HL	6	4	1/4"	400,0	M 14 x 1.5	8	49,0	17
PN 06 HL 08	6	4	1/4"	350,0	M 16 x 1.5	10	50,0	17
PN 06 HL 10	6	4	1/4"	330,0	M 18 x 1.5	12	51,0	19
PN 08 HL 06	8	5	5/16"	350,0	M 14 x 1.5	8	49,0	-
PN 08 HL	8	5	5/16"	350,0	M 16 x 1.5	10	50,0	17
PN 08 HL 10	8	5	5/16"	330,0	M 18 x 1.5	12	51,0	19
PN 08 HL 13	8	5	5/16"	275,0	M 22 x 1.5	15	52,0	24
PN 10 HL 08	10	6	3/8"	330,0	M 16 x 1.5	10	52,5	17
PN 10 HL	10	6	3/8"	330,0	M 18 x 1.5	12	52,5	19
PN 10 HL 13	10	6	3/8"	275,0	M 22 x 1.5	15	53,5	24
PN 13 HL 10	12	8	1/2"	275,0	M 18 x 1.5	12	53,5	22
PN 13 HL	12	8	1/2"	275,0	M 22 x 1.5	15	54,5	24
PN 13 HL 16	12	8	1/2"	250,0	M 26 x 1.5	18	55,5	27
PN 16 HL 13	16	10	5/8"	250,0	M 22 x 1.5	15	59,0	24
PN 16 HL	16	10	5/8"	250,0	M 26 x 1.5	18	60,0	27
PN 16 HL 20	16	10	5/8"	215,0	M 30 x 2	22	62,0	32
PN 20 HL 16	19	12	3/4"	215,0	M 26 x 1.5	18	66,5	27
PN 20 HL	19	12	3/4"	215,0	M 30 x 2	22	68,5	32
PN 20 HL 25	19	12	3/4"	165,0	M 36 x 2	28	70,0	41
PN 25 HL	25	16	1"	165,0	M 36 x 2	28	77,5	41
PN 32 HL	31	20	1.1/4"	160,0	M 45 x 2	35	91,0	46
PN 40 HL	38	24	1.1/2"	160,0	M 52 x 2	42	95,5	55

HANSA FLEX



BEL

HANSA FLEX

Cilësitë	
Aplikimi	Rakord nipples për t'u presuar, për tuba HD 100 deri në HD 400, tuba KP dhe tuba TE
Lidhja 1	Dado për unazë prerëse (cutting ring)
Forma e izolimit 1	Me unazë prerëse
Kodi i shkurtër	BEL
Standarti	ISO 8434-1
Seria	E lehtë
Materiali	Çelik
Sipërfaqja	E elektro-galvanizuar

Kodi	DN	Size	Inches	Presioni i punës (bar)	D2 (mm)	L1 (mm)
PN 04 FL	5	3	3/16"	250,0	6,0	50,5
PN 06 FL 04	6	4	1/4"	250,0	6,0	57,5
PN 06 FL	6	4	1/4"	250,0	8,0	58,5
PN 08 FL 06	8	5	5/16"	250,0	8,0	58,0
PN 08 FL	8	5	5/16"	250,0	10,0	59,5
PN 10 FL 08	10	6	3/8"	250,0	10,0	62,0
PN 10 FL	10	6	3/8"	250,0	12,0	62,5
PN 10 FL 13	10	6	3/8"	250,0	15,0	61,0
PN 13 FL 10	12	8	1/2"	250,0	12,0	60,0
PN 13 FL	12	8	1/2"	250,0	15,0	63,0
PN 13 FL 16	12	8	1/2"	160,0	18,0	65,0
PN 16 FL	16	10	5/8"	160,0	18,0	69,5
PN 16 FL 20	16	10	5/8"	160,0	22,0	71,5
PN 20 FL 16	19	12	3/4"	160,0	18,0	74,5
PN 20 FL	19	12	3/4"	160,0	22,0	79,0
PN 20 FL 25	19	12	3/4"	-	28,0	79,0
PN 25 FL	25	16	1"	-	28,0	87,0
PN 32 FL	31	20	1.1/4"	-	35,0	103,0
PN 40 FL	38	24	1.1/2"	-	42,0	110,5

EMC Engineering Maintenance Center

Sistemet hidraulike jane te shumellojshme, ku presionet e punes mund te jene te ndryshme.

Megjithate, sistemet hidraulike jane ene nen presion dhe si te tilla paraqesin rrezikshmeri te larte.

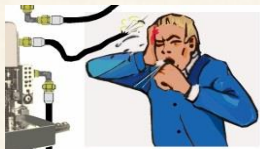
Historiku boteror njej raste te shumta te aksidenteve ne sistemet hidraulike ku jane rregjistruar edhe katastrofa me humbje jetesh njerezore.

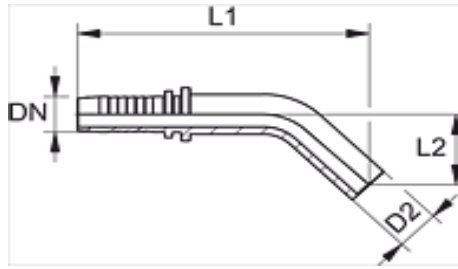
Ndaj para se gjithash duhet te njihen rreziqet e mundshme si dhe masat e nevojshme per mbrojtjen nga keto rreziqe.

Mos anashkaloni asnje rekomandim dhe jini te vemendshem.

Kini frike nga sistemet hidraulike.

Puna ne sistemet hidraulike me presion te larte ka rrezik te madh
Ndaj njihni dhe rrespektoni rigorozisht rregullat e sigurise ne pune





BEL

Cilësitë	
Aplikimi	Rakord nipples për t'u presuar, për tuba HD 100 deri në HD 400, tuba KP dhe tuba TE
Lidhja 1	Dado për unazë prerëse (cutting ring)
Forma e izolimit 1	Me unazë prerëse
Kodi i shkurtër	BEL
Standarti	ISO 8434-1
Seria	E lehtë
Materiali	Çelik
Sipërfaqja	E elektro-galvanizuar

Kodi	DN	Size	Inches	Presioni i punës (bar)	D2 (mm)	L1 (mm)	L2 (mm)
PN 04 FL 45	5	3	3/16"	250,0	6,0	68,5	19,0
PN 06 FL 04 45	6	4	1/4"	250,0	6,0	77,0	19,0
PN 06 FL 45	6	4	1/4"	250,0	8,0	71,5	19,0
PN 08 FL 06 45	8	5	5/16"	250,0	8,0	77,0	20,0
PN 08 FL 45	8	5	5/16"	250,0	10,0	80,5	23,0
PN 10 FL 08 45	10	6	3/8"	250,0	10,0	88,0	25,0
PN 10 FL 45	10	6	3/8"	250,0	12,0	88,0	25,0
PN 10 FL 13 45	10	6	3/8"	250,0	15,0	89,0	24,5
PN 13 FL 10 45	12	8	1/2"	250,0	12,0	87,0	22,0
PN 13 FL 45	12	8	1/2"	250,0	15,0	98,0	27,0
PN 13 FL 16 45	12	8	1/2"	160,0	18,0	95,5	26,0
PN 16 FL 20 45	16	10	5/8"	160,0	22,0	107,0	29,0
PN 20 FL 16 45	19	12	3/4"	160,0	18,0	108,5	41,5
PN 20 FL 45	19	12	3/4"	160,0	22,0	112,0	29,0
PN 25 FL 45	25	16	1"	100,0	28,0	130,0	34,0
PN 32 FL 45	31	20	1.1/4"	100,0	35,0	155,5	41,0
PN 40 FL 45	38	24	1.1/2"	100,0	42,0	174,5	44,0

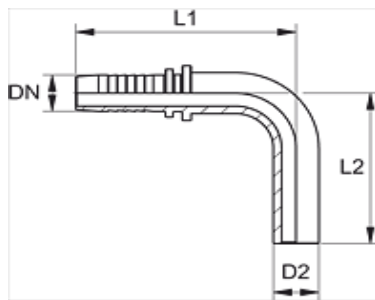
HANSA FLEX

EMC Engineering Maintenance Center shpk

Ekzistojnë dy mënyra të aktivizimit të valvolave shfryrese te presionit:

Me aktivizim direkt

Me aktivizim me pilotim



BEL

Cilësitë	
Aplikimi	Rakord nipples për t'u presuar, për tuba HD 100 deri në HD 400, tuba KP dhe tuba TE
Lidhja 1	Dado për unazë prerëse (cutting ring)
Forma e izolimit 1	Me unazë prerëse
Kodi i shkurtër	BEL
Standarti	ISO 8434-1
Seria	E lehtë
Materiali	Çelik
Sipërfaqja	E elektro-galvanizuar

Kodi	DN	Size	Inches	Presioni i punës (bar)	D2 (mm)	L1 (mm)	L2 (mm)
PN 04 FL 90	5	3	3/16"	250,0	6,0	47,5	41,5
PN 06 FL 04 90	6	4	1/4"	250,0	6,0	56,5	42,5
PN 06 FL 90	6	4	1/4"	250,0	8,0	56,5	43,5
PN 08 FL 06 90	8	5	5/16"	250,0	8,0	56,5	43,5
PN 08 FL 90	8	5	5/16"	250,0	10,0	58,5	44,0
PN 10 FL 08 90	10	6	3/8"	250,0	10,0	61,5	53,5
PN 10 FL 90	10	6	3/8"	250,0	12,0	62,0	52,5
PN 10 FL 13 90	10	6	3/8"	250,0	15,0	77,5	48,0
PN 13 FL 10 90	12	8	1/2"	250,0	12,0	62,0	52,5
PN 13 FL 90	12	8	1/2"	250,0	15,0	72,5	55,0
PN 13 FL 16 90	12	8	1/2"	160,0	18,0	72,5	58,5
PN 16 FL 90	16	10	5/8"	160,0	18,0	83,0	70,0
PN 16 FL 20 90	16	10	5/8"	160,0	22,0	83,0	74,0
PN 20 FL 16 90	19	12	3/4"	160,0	18,0	88,0	70,0
PN 20 FL 90	19	12	3/4"	160,0	22,0	100,0	73,5
PN 25 FL 90	25	16	1"	100,0	28,0	127,5	84,5
PN 32 FL 90	31	20	1.1/4"	100,0	35,0	149,5	106,0
PN 40 FL 90	38	24	1.1/2"	100,0	42,0	167,0	99,0

HANSA/FLEX

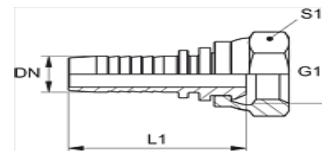
EMC
ENGINEERING
Maintenance Center

EMC Engineering Maintenance Center shpk

Valvolat frenuese sherbejne per

RAKORDERITE ME FILETA METRIKE, tip DKSPN AFS

Cilësitë	
Aplikimi	100 deri në HD 400, tuba KP dhe tuba TE
Lidhja 1	Dado me fileta metrike
Forma e izolimit 1	Kokë konike universale 24°/60°
Kodi i shkurtër	DKS
Seria	E rëndë
Materiali	Çelik
Sipërfaqja	E elektro-galvanizuar

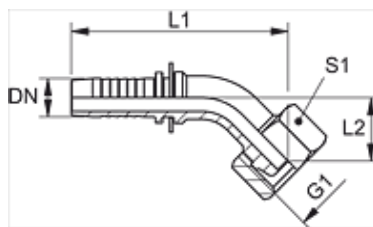


DKS

HANSA
FLEX

Kodi	DN	Size	Inches	Presioni i punës (bar)	G1	Për tub Ø jashtëm (mm)	L1 (mm)	S1
PN 04 AFS 03	5	3	3/16"	630,0	M 14 x 1.5	6	44,5	17
PN 04 AFS	5	3	3/16"	630,0	M 16 x 1.5	8	44,5	19
PN 06 AFS 04	6	4	1/4"	630,0	M 16 x 1.5	8	51,5	19
PN 06 AFS	6	4	1/4"	630,0	M 18 x 1.5	10	52,5	22
PN 08 AFS 06	8	5	5/16"	630,0	M 18 x 1.5	10	52,5	22
PN 08 AFS	8	5	5/16"	630,0	M 20 x 1.5	12	52,5	24
PN 10 AFS 08	10	6	3/8"	630,0	M 20 x 1.5	12	54,0	24
PN 10 AFS	10	6	3/8"	630,0	M 22 x 1.5	14	57,0	27
PN 13 AFS	12	8	1/2"	400,0	M 24 x 1.5	16	58,0	30
PN 16 AFS	16	10	5/8"	400,0	M 30 x 2	20	66,0	36
PN 20 AFS	19	12	3/4"	400,0	M 36 x 2	25	75,5	46
PN 25 AFS	25	16	1"	250,0	M 42 x 2	30	85,5	50
PN 32 AFS	31	20	1.1/4"	250,0	M 52 x 2	38	98,0	60

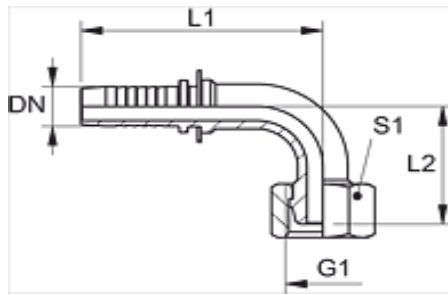
RAKORDERITE ME FILETA METRIKE, tip DKS 45°PN AFS 45



DKS

Cilësitë	
Aplikimi	Rakord nipples për t'u presuar, për tuba HD 100 deri në HD 400, tuba KP dhe tuba TE
Lidhja 1	Dado me fileta metrike
Forma e izolimit 1	Kokë konike universale 24°/60°
Kodi i shkurtër	DKS
Seria	E rëndë
Materiali	Çelik
Sipërfaqja	E elektro-galvanizuar

Kodi	DN	Size	Inches	Presioni i punës (bar)	G1	Për tub Ø jashtëm (mm)	L1 (mm)	L2 (mm)	S1
PN 06 AFS 04 45	6	4	1/4"	630,0	M 16 x 1.5	8	79,0	21,0	19
PN 06 AFS 45	6	4	1/4"	630,0	M 18 x 1.5	10	-	-	-
PN 08 AFS 45	8	5	5/16"	630,0	M 20 x 1.5	12	-	-	-
PN 20 AFS 45	19	12	3/4"	400,0	M 36 x 2	25	129,0	39,0	46



DKS

Cilësitë	
Aplikimi	Rakord nipples për t'u presuar, për tuba HD 100 deri në HD 400, tuba KP dhe tuba TE
Lidhja 1	Dado me fileta metrike
Forma e izolimit 1	Kokë konike universale 24°/60°
Kodi i shkurtër	DKS
Seria	E rëndë
Materiali	Çelik
Sipërfaqja	E elektro-galvanizuar

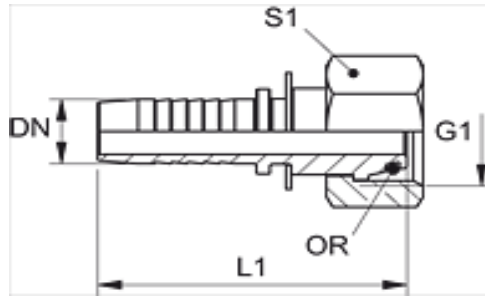
Kodi	DN	Size	Inches	Presioni i punës (bar)	G1	Për tub Ø jashtëm (mm)	L1 (mm)	L2 (mm)	S1
PN 06 AFS 04 90	6	4	1/4"	630,0	M 16 x 1.5	8	63,0	35,0	19
PN 08 AFS 90	8	5	5/16"	630,0	M 20 x 1.5	12	-	-	-



EMC Engineering Maintenance Center shpk

TUBAT HIDRAULIK NUK RIPAROHEN

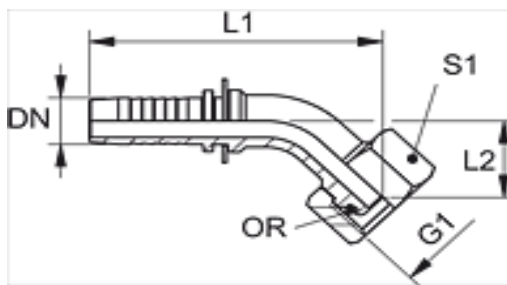



DKOS
Cilësitë

Aplikimi	Rakord nipples për t'u presuar, për tuba HD 100 deri në HD 400, tuba KP dhe tuba TE
Lidhja 1	Dado me fileta metrike
Forma e izolimit 1	Kokë konike universale 24 ⁰ me garnicion O-Ring
Kodi i shkurtër	DKOS
Standarti	ISO 8434-1
Seria	E rëndë
Materiali	Çelik
Sipërfaqja	E elektro-galvanizuar

Kodi	DN	Size	Inches	Presioni i punës (bar)	G1	Për tub Ø jashtëm (mm)	L1 (mm)	S1	OR
PN 04 AOS	5	3	3/16"	630,0	M 16 x 1.5	8	47,5	19	6.0 x 1.5
PN 04 AOS 06	5	3	3/16"	630,0	M 18 x 1.5	10	48,0	22	7.5 x 1.5
PN 06 AOS 03	6	4	1/4"	630,0	M 14 x 1.5	6	53,0	17	4.0 x 1.5
PN 06 AOS 04	6	4	1/4"	630,0	M 16 x 1.5	8	54,0	19	6.0 x 1.5
PN 06 AOS	6	4	1/4"	630,0	M 18 x 1.5	10	55,0	22	7.5 x 1.5
PN 06 AOS 08	6	4	1/4"	630,0	M 20 x 1.5	12	55,0	24	9.0 x 1.5
PN 08 AOS 06	8	5	5/16"	630,0	M 18 x 1.5	10	54,0	22	7.5 x 1.5
PN 08 AOS	8	5	5/16"	630,0	M 20 x 1.5	12	55,0	24	9.0 x 1.5
PN 10 AOS 06	10	6	3/8"	630,0	M 18 x 1.5	10	54,0	22	7.5 x 1.5
PN 10 AOS 08	10	6	3/8"	630,0	M 20 x 1.5	12	56,5	24	9.0 x 1.5
PN 10 AOS	10	6	3/8"	630,0	M 22 x 1.5	14	60,0	27	10.0 x 2.0
PN 10 AOS 13	10	6	3/8"	420,0	M 24 x 1.5	16	61,0	30	12.0 x 2.0
PN 13 AOS 10	12	8	1/2"	420,0	M 22 x 1.5	14	56,0	27	10.0 x 2.0
PN 13 AOS	12	8	1/2"	420,0	M 24 x 1.5	16	61,0	30	12.0 x 2.0
PN 13 AOS 16	12	8	1/2"	420,0	M 30 x 2	20	66,5	36	16.0 x 2.5
PN 16 AOS 13	16	10	5/8"	420,0	M 24 x 1.5	16	60,5	30	12.0 x 2.0
PN 16 AOS	16	10	5/8"	420,0	M 30 x 2	20	71,0	36	16.0 x 2.5
PN 16 AOS 20	16	10	5/8"	420,0	M 36 x 2	25	74,5	46	20.0 x 2.5
PN 16 AOS 20 SW41	16	10	5/8"	420,0	M 36 x 2	25	74,5	41	20.0 x 2.5
PN 20 AOS 16	19	12	3/4"	420,0	M 30 x 2	20	78,0	36	16.0 x 2.5
PN 20 AOS	19	12	3/4"	420,0	M 36 x 2	25	81,0	46	20.0 x 2.5
PN 20 AOS SW41	19	12	3/4"	420,0	M 36 x 2	25	81,0	41	20.0 x 2.5
PN 20 AOS 25	19	12	3/4"	420,0	M 42 x 2	30	84,0	50	25.0 x 2.5
PN 25 AOS 20	25	16	1"	420,0	M 36 x 2	25	89,0	46	20.0 x 2.5
PN 25 AOS	25	16	1"	420,0	M 42 x 2	30	92,0	50	25.0 x 2.5
PN 25 AOS 32	25	16	1"	345,0	M 52 x 2	38	95,5	60	33.0 x 2.5
PN 32 AOS 25	31	20	1.1/4"	420,0	M 42 x 2	30	92,5	50	25.0 x 2.5
PN 32 AOS	31	20	1.1/4"	345,0	M 52 x 2	38	104,5	60	33.0 x 2.5
PN 40 AOS 32	38	24	1.1/2"	345,0	M 52 x 2	38	107,0	60	33.0 x 2.5

HANSA FLEX



DKOS

Cilësitë

Aplikimi	Rakord nipples për t'u presuar, për tuba HD 100 deri në HD 400, tuba KP dhe tuba TE
Lidhja 1	Dado me fileta metrike
Forma e izolimit 1	Kokë konike universale 24° me guarnicion O-Ring
Kodi i shkurtër	DKOS
Standarti	ISO 8434-1
Seria	E rëndë
Materiali	Çelik
Sipërfaqja	E elektro-galvanizuar

Kodi	DN	Size	Inches	Presioni i punës (bar)	G1	Për tub Ø jashtëm (mm)	L1	L2	OR
PN 04 AOS 45	5	3	3/16"	630,0	M 16 x 1.5	8	56,5	15,5	6.0 x 1.5
PN 04 AOS 06 45	5	3	3/16"	630,0	M 18 x 1.5	10	58,0	17,0	7.0 x 2.0
PN 06 AOS 03 45	6	4	1/4"	630,0	M 14 x 1.5	6	64,5	16,5	4.0 x 1.5
PN 06 AOS 04 45	6	4	1/4"	630,0	M 16 x 1.5	8	64,5	16,5	6.0 x 1.5
PN 06 AOS 45	6	4	1/4"	630,0	M 18 x 1.5	10	65,0	17,0	7.5 x 1.5
PN 06 AOS 08 45	6	4	1/4"	630,0	M 20 x 1.5	12	67,5	18,0	9.0 x 1.5
PN 08 AOS 06 45	8	5	5/16"	630,0	M 18 x 1.5	10	64,0	17,0	7.5 x 1.5
PN 08 AOS 45	8	5	5/16"	630,0	M 20 x 1.5	12	67,5	18,0	9.0 x 1.5
PN 10 AOS 06 45	10	6	3/8"	630,0	M 18 x 1.5	10	72,0	21,0	7.5 x 1.5
PN 10 AOS 08 45	10	6	3/8"	630,0	M 20 x 1.5	12	73,0	20,0	9.0 x 1.5
PN 10 AOS 45	10	6	3/8"	630,0	M 22 x 1.5	14	73,5	20,5	10.0 x 2.0
PN 10 AOS 13 45	10	6	3/8"	420,0	M 24 x 1.5	16	81,0	21,0	12.0 x 2.0
PN 13 AOS 10 45	12	8	1/2"	420,0	M 22 x 1.5	14	81,0	27,5	10.0 x 2.0
PN 13 AOS 45	12	8	1/2"	420,0	M 24 x 1.5	16	82,0	21,0	12.0 x 2.0
PN 16 AOS 13 45	16	10	5/8"	420,0	M 24 x 1.5	16	85,5	27,5	12.0 x 2.0
PN 16 AOS 45	16	10	5/8"	420,0	M 30 x 2	20	98,5	27,5	16.0 x 2.5
PN 16 AOS 20 45	16	10	5/8"	420,0	M 36 x 2	25	103,0	30,5	20.0 x 2.5
PN 20 AOS 16 45	19	12	3/4"	420,0	M 30 x 2	20	109,0	30,0	16.0 x 2.5
PN 20 AOS 45	19	12	3/4"	420,0	M 36 x 2	25	109,5	30,5	20.0 x 2.5
PN20AOS45SW41	19	12	3/4"	420,0	M 36 x 2	25	109,5	30,5	20.0 x 2.5
PN 25 AOS 20 45	25	16	1"	420,0	M 36 x 2	25	141,5	39,5	20.0 x 2.5
PN 25 AOS 45	25	16	1"	420,0	M 42 x 2	30	135,5	33,0	25.0 x 2.5
PN 32 AOS 45	31	20	1.1/4"	345,0	M 52 x 2	38	161,5	40,5	33.0 x 2.5
PN 40 AOS 32 45	38	24	1.1/2"	345,0	M 52 x 2	38	165,0	40,5	33.0 x 2.5

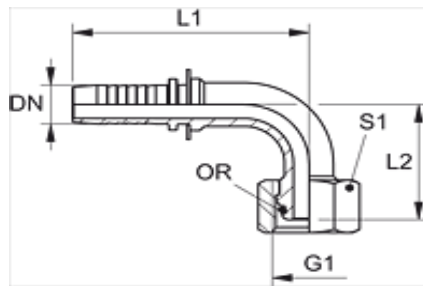
HANSA FLEX



EMC Engineering Maintenance Center shpk

EMC shpk disponon materiale te shumta didaktike per te trajnuar teknket e mesem dhe tekniket e larte ne lidhje me hidrauliken e aplikuar.

Mos hezitoni te na kontaktoni. Ju do te vleresoni edhe vete seriozitetin me te cilin ne trajnojme ata qe deshirojne te behen teknik kompetent.



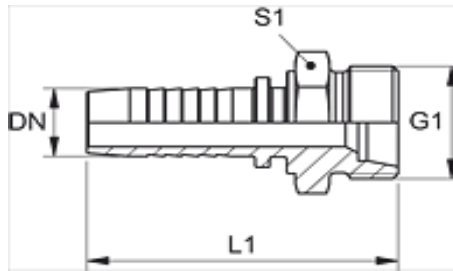
DKOS

Cilësitë

Aplikimi	Rakord nipples për t'u presuar, për tuba HD 100 deri në HD 400, tuba KP dhe tuba TE
Lidhja 1	Dado me fileta metrike
Forma e izolimit 1	Kokë konike universale 24° me guarnicion O-Ring
Kodi i shkurtër	DKOS
Standarti	ISO 8434-1
Seria	E rëndë
Materiali	Çelik
Sipërfaqja	E elektro-galvanizuar

Kodi	DN	Size	Inches	Presioni i punës (bar)	G1	Për tub Ø (mm)	L1	L2	OR
PN 04 AOS 90	5	3	3/16"	630,0	M 16 x 1.5	8	48,5	29,5	6.0 x 1.5
PN 04 AOS 90L37	5	3	3/16"	630,0	M 16 x 1.5	8	48,5	37,0	6.0 x 1.5
PN 06 AOS 03 90	6	4	1/4"	630,0	M 14 x 1.5	6	58,0	34,0	4.0 x 1.5
PN 06 AOS 04 90	6	4	1/4"	630,0	M 16 x 1.5	8	55,0	32,5	6.0 x 1.5
PN 06 AOS 90	6	4	1/4"	630,0	M 18 x 1.5	10	55,0	33,5	7.5 x 1.5
PN 06 AOS 08 90	6	4	1/4"	630,0	M 20 x 1.5	12	58,0	34,0	9.0 x 1.5
PN 08 AOS 06 90	8	5	5/16"	630,0	M 18 x 1.5	10	61,5	38,5	7.5 x 1.5
PN 08 AOS 90	8	5	5/16"	630,0	M 20 x 1.5	12	58,0	34,0	9.0 x 1.5
PN 08 AOS90L45	8	5	5/16"	630,0	M 20 x 1.5	12	58,0	45,0	9.0 x 1.5
PN 10 AOS 06 90	10	6	3/8"	630,0	M 18 x 1.5	10	63,0	38,5	7.5 x 1.5
PN 10 AOS 08 90	10	6	3/8"	630,0	M 20 x 1.5	12	64,0	37,5	9.0 x 1.5
PN 10 AOS 90	10	6	3/8"	630,0	M 22 x 1.5	14	64,0	38,5	10.0 x 2.0
PN 10 AOS 13 90	10	6	3/8"	420,0	M 24 x 1.5	16	71,5	43,0	12.0 x 2.0
PN 13 AOS 10 90	12	8	1/2"	420,0	M 22 x 1.5	14	71,5	55,0	10.0 x 2.0
PN 13 AOS 90	12	8	1/2"	420,0	M 24 x 1.5	16	72,5	43,0	12.0 x 2.0
PN 13 AOS 16 90	12	8	1/2"	420,0	M 30 x 2	20	83,5	55,0	16.0 x 2.5
PN 16 AOS 13 90	16	10	5/8"	420,0	M 24 x 1.5	16	76,0	55,0	12.0 x 2.0
PN 16 AOS 90	16	10	5/8"	420,0	M 30 x 2	20	88,0	55,0	16.0 x 2.5
PN 16 AOS90L100	16	10	5/8"	420,0	M 30 x 2	20	88,0	100,0	16.0 x 2.5
PN 16 AOS 20 90	16	10	5/8"	420,0	M 36 x 2	25	93,0	59,5	20.0 x 2.5
PN 20 AOS 16 90	19	12	3/4"	420,0	M 30 x 2	20	99,5	58,5	16.0 x 2.5
PN 20 AOS 90	19	12	3/4"	420,0	M 36 x 2	25	99,5	59,5	20.0 x 2.5
PN20AOS90SW41	19	12	3/4"	420,0	M 36 x 2	25	99,5	59,5	20.0 x 2.5
PN20AOS90L110	19	12	3/4"	420,0	M 36 x 2	25	99,5	110,0	20.0 x 2.5
PN20AOS90L130	19	12	3/4"	420,0	M 36 x 2	25	99,5	130,0	20.0 x 2.5
PN20AOS90L150	19	12	3/4"	420,0	M 36 x 2	25	99,5	150,0	20.0 x 2.5
PN 20 AOS 25 90	19	12	3/4"	420,0	M 42 x 2	30	119,0	71,0	25.0 x 2.5
PN 25 AOS 20 90	25	16	1"	420,0	M 36 x 2	25	126,0	80,5	20.0 x 2.5
PN 25 AOS 90	25	16	1"	420,0	M 42 x 2	30	127,0	71,0	25.0 x 2.5
PN 32 AOS 25 90	31	20	1.1/4"	345,0	M 42 x 2	30	135,0	85,0	25.0 x 2.5
PN 32 AOS 90	31	20	1.1/4"	345,0	M 52 x 2	38	151,5	85,0	33.0 x 2.5
PN 40 AOS 32 90	38	24	1.1/2"	345,0	M 52 x 2	38	155,0	95,0	33.0 x 2.5

HANSA FLEX



CES

Cilësitë	
Aplikimi	Rakord nipples për t'u presuar, për tuba HD 100 deri në HD 400, tuba KP dhe tuba TE
Lidhja 1	Fileta metrike mashkull
Forma e izolimit 1	Fole konike 24°
Kodi i shkurtër	CES
Standarti	ISO 8434-1
Seria	E rëndë
Materiali	Çelik
Sipërfaqja	E elektro-galvanizuar

Kodi	DN	Size	Inches	Presioni i punës (bar)	G1	Për tub Ø jashtëm (mm)	L1 (mm)	S1
PN 04 HS	5	3	3/16"	630,0	M 16 x 1.5	8	48,0	17
PN 06 HS 03	6	4	1/4"	630,0	M 14 x 1.5	6	52,0	14
PN 06 HS 04	6	4	1/4"	630,0	M 16 x 1.5	8	54,0	17
PN 06 HS	6	4	1/4"	630,0	M 18 x 1.5	10	54,0	19
PN 08 HS 06	8	5	5/16"	630,0	M 18 x 1.5	10	54,0	19
PN 08 HS	8	5	5/16"	630,0	M 20 x 1.5	12	56,0	22
PN 08 HS 13	8	5	5/16"	420,0	M 24 x 1.5	16	58,0	27
PN 10 HS 06	10	6	3/8"	630,0	M 18 x 1.5	10	55,5	19
PN 10 HS 08	10	6	3/8"	630,0	M 20 x 1.5	12	57,5	22
PN 10 HS	10	6	3/8"	630,0	M 22 x 1.5	14	59,5	24
PN 10 HS 13	10	6	3/8"	420,0	M 24 x 1.5	16	59,5	27
PN 13 HS 10	12	8	1/2"	420,0	M 22 x 1.5	14	60,5	24
PN 13 HS	12	8	1/2"	420,0	M 24 x 1.5	16	60,5	27
PN 13 HS 16	12	8	1/2"	420,0	M 30 x 2	20	64,5	32
PN 16 HS	16	10	5/8"	420,0	M 30 x 2	20	69,0	32
PN 20 HS 16	19	12	3/4"	420,0	M 30 x 2	20	75,5	32
PN 20 HS	19	12	3/4"	420,0	M 36 x 2	25	79,5	36
PN 25 HS 20	25	16	1"	420,0	M 36 x 2	25	87,5	36
PN 25 HS	25	16	1"	420,0	M 42 x 2	30	89,5	46
PN 32 HS	31	20	1.1/4"	345,0	M 52 x 2	38	104,0	55
PN 40 HS 32	38	24	1.1/2"	345,0	M 52 x 2	38	107,5	55

HANSA FLEX

EMC Engineering Maintenance Center shpk

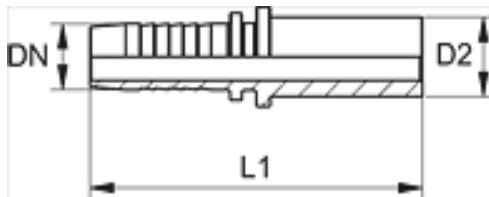
SERIA E LEHTE

Ø 12 mm

SERIA E RENDE

Ø 10 mm

56



BES

Cilësitë	
Aplikimi	Rakord nipples për t'u presuar, për tuba HD 100 deri në HD 400, tuba KP dhe tuba TE
Lidhja 1	Dado për unazë prerëse (cutting ring)
Forma e izolimit 1	Me unazë prerëse
Kodi i shkurtër	BES
Standarti	ISO 8434-1
Seria	E rëndë
Materiali	Çelik
Sipërfaqja	E elektro-galvanizuar

Kodi	DN	Size	Inches	Presioni i punës (bar)	D2 (mm)	L1 (mm)
PN 04 FS	5	3	3/16"	630,0	8,0	51,5
PN 06 FS 04	6	4	1/4"	630,0	8,0	58,5
PN 06 FS	6	4	1/4"	630,0	10,0	60,5
PN 06 FS 08	6	4	1/4"	630,0	12,0	59,5
PN 08 FS	8	5	5/16"	630,0	12,0	60,0
PN 10 FS	10	6	3/8"	630,0	14,0	66,0
PN 10 FS 13	10	6	3/8"	400,0	16,0	70,0
PN 13 FS 08	12	8	1/2"	400,0	12,0	61,5
PN 13 FS 10	12	8	1/2"	400,0	14,0	67,0
PN 13 FS	12	8	1/2"	400,0	16,0	70,0
PN 16 FS 13	16	10	5/8"	400,0	16,0	74,5
PN 16 FS	16	10	5/8"	400,0	20,0	78,5
PN 16 FS 20	16	10	5/8"	400,0	25,0	85,0
PN 20 FS 13	19	12	3/4"	400,0	16,0	79,5
PN 20 FS 16	19	12	3/4"	400,0	20,0	86,0
PN 20 FS	19	12	3/4"	400,0	25,0	90,0
PN 25 FS 20	25	16	1"	250,0	25,0	97,0
PN 25 FS	25	16	1"	250,0	30,0	102,0
PN 25 FS 32	25	16	1"	250,0	38,0	109,5
PN 32 FS 25	31	20	1.1/4"	250,0	30,0	113,0
PN 32 FS	31	20	1.1/4"	250,0	38,0	117,0
PN 40 FS 32	38	24	1.1/2"	250,0	38,0	120,5



EMC Engineering Maintenance Center

Ne rastet e montimit te rakordeve me unaze prerese tek tubat e çelikut, unaza duhet te montohet paraprakisht me ane te disa çelesave special.

Ne figuren me poshte tregohet nje prej ketyre çelesave.



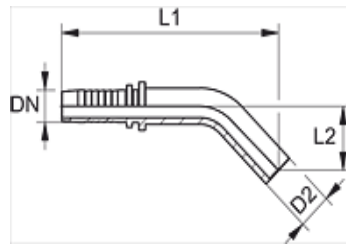
Keto çesesa kapen ne morse nga ana e sheshte dhe pas kesaj ne tub vendosen fillimisht dado dhe pastaj unaza prerese. Beni kujdes dhe vendoseni unazen ne anen e duhur.
Shtrengimi i dados duhet bere ne masen e duhur.

Ne EMC disponojme si tuba çeliku ashtu edhe unaza prerese, dado bashkuese dhe çelesat perkates.

Parapergatitja e rakordeve te tubave metalik duhet bere duke ndjekur rekomandimet teknike perkatese. Keto rekomandime tregojne proceduren e prerjes se tubit metalik dhe me tej te gjitha procedurat e tjera.

Menyra e pergatitjes se rakorderive te tubave metalik eshte pjese e programit te trajnimeve qe EMC shpk organizon per tekniket e mesem.

Ne po mundohemi qe mos t'i leme asgje rastesise. Jemi te bindur qe vetem duke i trajnuar tekniket ne menyre te vazhdueshme do te mund te arrijme rezultatin e duhur.



BES

Cilësitë	
Aplikimi	Rakord nipples për t'u presuar, për tuba HD 100 deri në HD 400, tuba KP dhe tuba TE
Lidhja 1	Dado për unazë prerëse (cutting ring)
Forma e izolimit 1	Me unazë prerëse
Kodi i shkurtër	BES
Standarti	ISO 8434-1
Seria	E rëndë
Materiali	Çelik
Sipërfaqja	E elektro-galvanizuar

Kodi	DN	Size	Inches	Presioni i punës (bar)	D2 (mm)	L1 (mm)	L2 (mm)
PN 04 FS 45	5	3	3/16"	630,0	8,0	59,0	20,0
PN 06 FS 45	6	4	1/4"	630,0	10,0	80,0	23,5
PN 06 FS 08 45	6	4	1/4"	630,0	12,0	82,5	22,0
PN 08 FS 45	8	5	5/16"	630,0	12,0	90,0	25,0
PN 10 FS 45	10	6	3/8"	630,0	14,0	82,5	27,0
PN 13 FS 10 45	12	8	1/2"	400,0	14,0	82,5	27,0
PN 13 FS 45	12	8	1/2"	400,0	16,0	97,0	30,0
PN 16 FS 13 45	16	10	5/8"	400,0	16,0	101,5	30,0
PN 16 FS 45	16	10	5/8"	400,0	20,0	106,0	34,0
PN 20 FS 16 45	19	12	3/4"	400,0	20,0	113,0	34,0
PN 20 FS 45	19	12	3/4"	400,0	25,0	126,0	39,0
PN 25 FS 20 45	25	16	3/4"	250,0	25,0	135,0	39,0
PN 25 FS 45	25	16	1"	250,0	30,0	146,0	44,0
PN 32 FS 25 45	31	20	1.1/4"	250,0	30,0	153,5	44,0
PN 32 FS 45	31	20	1.1/4"	250,0	38,0	172,5	51,0
PN 40 FS 32 45	38	24	1.1/2"	250,0	38,0	176,5	51,0



EMC Engineering Maintenance Center

Eshte shume e rëndesishme qe administratoret e kompanive, Pergjegjesit e Sektorit te mirembajtjes dhe tekniket e mirembajtjes, te mesem dhe te larte, te kuptojne dhe te mos nenvleresojne rreziquet qe mund te lindin nga sistemet hidraulike. Pergjithesisht makinerite e punes qe i perkasin hidraulikes mobile punojne me presion rreth 200 bar, ndersa makinerite industriale punojne me presion 380- 420 bar. Ka edhe sisteme ku kerkohen forca te medha (psh tek anijet) ku ka sisteme hidraulike qe operojne edhe me 700 bar.

Nje tub i nenvleresuar, nje rakord jo i duhur, apo edhe procese te tjera te kryera jashte rekomandimeve teknike mund te perbejne nje shkak potencial per te rrezikuar seriozisht jeten e operatoreve te makinerise, teknikeve te mirembajtjes apo edhe personave te tjere qe mund te gjenden aty prane ne momentin e gabuar.

Nje shembull:

Per arsye te uljes se kostove ose per arsye te mosqetjes se rakordit te ri, ne vendin tone, eshte praktike e zakonshme riperdorimi i rakorderite te tubave te vjeter (pritën bokulla e çelikut dhe rikuperohet rakordi nipples per t'u ristampuar ne tubin e ri) Ne boten perendimore (psh ne Gjermani) ky proces eshte i ndaluar me LIGJ

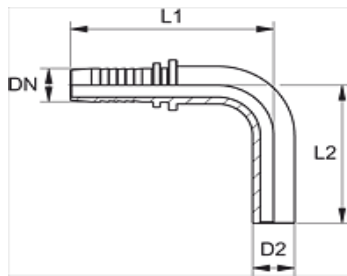
Prandaj mbani ne konsiderate faktin qe ne sistemet hidraulike presionet jane te larta dhe rrezikshmeria eshte shume e larte.

MOS RIPERDORNI RAKORDERITE E VJETRA TEK TUBAT E RI

Nje perfitim i vogel i momentit mund te behet shkak per deme te pariparueshme.

Siguria eshte e para.

Mos harroni qe gjithmone duhet te kuni frike kur jeni duke punuar ne prani te sistemeve hidraulike.



BES

Cilësitë	
Aplikimi	Rakord nipples për t'u presuar, për tuba HD 100 deri në HD 400, tuba KP dhe tuba TE
Lidhja 1	Dado për unazë prerëse (cutting ring)
Forma e izolimit 1	Me unazë prerëse
Kodi i shkurtër	BES
Standarti	ISO 8434-1
Seria	E rëndë
Materiali	Çelik
Sipërfaqja	E elektro-galvanizuar

Kodi	DN	Size	Inches	Presioni i punës (bar)	D2 (mm)	L1 (mm)	L2 (mm)
PN 04 FS 90	5	3	3/16"	630,0	8,0	59,0	37,0
PN 06 FS 04 90	6	4	1/4"	630,0	8,0	56,5	43,5
PN 06 FS 90	6	4	1/4"	630,0	10,0	56,5	44,5
PN 06 FS 08 90	6	4	1/4"	630,0	12,0	56,5	44,5
PN 08 FS 90	8	5	5/16"	630,0	12,0	57,0	46,5
PN 10 FS 90	10	6	3/8"	630,0	14,0	58,5	60,5
PN 13 FS 08 90	12	8	1/2"	400,0	12,0	58,5	46,5
PN 13 FS 10 90	12	8	1/2"	400,0	14,0	70,5	61,5
PN 13 FS 90	12	8	1/2"	400,0	16,0	71,5	63,5
PN 16 FS 13 90	16	10	5/8"	400,0	16,0	76,0	63,5
PN 16 FS 90	16	10	5/8"	400,0	20,0	83,0	80,5
PN 20 FS 16 90	19	12	3/4"	400,0	20,0	100,0	80,0
PN 20 FS 90	19	12	3/4"	400,0	25,0	100,0	85,5
PN 25 FS 20 90	25	16	1"	250,0	25,0	127,5	94,5
PN 25 FS 90	25	16	1"	250,0	30,0	127,5	99,5
PN 32 FS 25 90	31	20	1.1/4"	250,0	30,0	135,0	99,5
PN 32 FS 90	31	20	1.1/4"	250,0	38,0	156,0	105,0
PN 40 FS 32 90	38	24	1.1/2"	250,0	38,0	159,5	105,0



EMC Engineering Maintenance Center

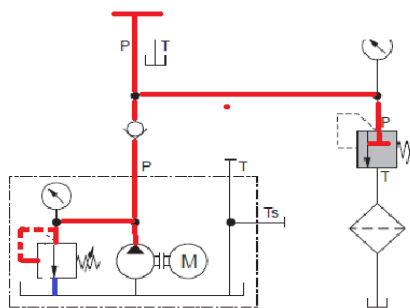
Kur sistemet hidraulike nuk funksionojne me forcen per te cilen jane projektuar, atehere problemi eshte se ne sistemin hidraulik nuk garantohet PRESIONI i duhur.

Psh forca qe prodhon nje cilindër hidraulik eshte:

$$F = \text{presion} \times \text{siperfaqe e pistonit}$$

Meqenese per nje cilindër te dhene, siperfaqja e pistonit eshte e pandryshueshme, kuptohet qe nese presioni zvogelohet edhe forva zvogelohet.

Prandaj per te kontrolluar forcen duhet te kontrollohet presioni.



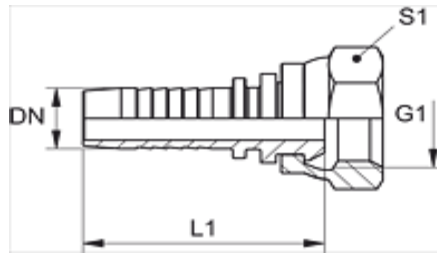
Ka disa lloj valvolash qe kontrollojne presionin.

- > Valvolat e kufizimit te presionit,
- > Valvolat e reduktimit te presionit,
- > Valvolat e sigurise,
- > Valvolat frenuese,
- > Valvolat e kundrapeshes,
- > Valvolat sekuenciale,
- > etj

Trajnrohuni me EMC shpk. per hidrauliken e aplikuar.

Njohja e funksionit te valvolave hidraulike eshte domosdoshmeri per interpretimin e funksionimit te makinerise me sistem hidraulik.

RAKORDERITE ME FILETA METRIKE, tip DKMPN A



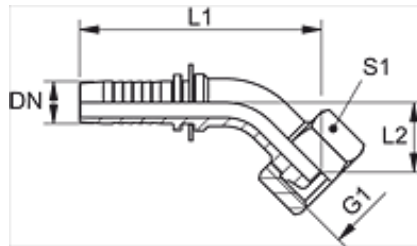
DKM

Cilësitë	
Aplikimi	Rakord nipples për t'u presuar, për tuba HD 100 deri në HD 400, tuba KP dhe tuba TE
Lidhja 1	Dado me fileta metrike
Forma e izolimit 1	Kokë konike 60°
Kodi i shkurtër	DKM
Standarti	DIN 3863
Materiali	Çelik
Sipërfaqja	E elektro-galvanizuar

Kodi	DN	Size	Inches	Presioni i punës (bar)	G1	L1 (mm)	S1
PN 20 A	19	12	3/4"	63,0	M 30 x 1.5	65,5	36
PN 25 A	25	16	1"	63,0	M 38 x 1.5	75,5	46
PN 25 A 32	25	16	1"	63,0	M 45 x 1.5	76,0	50
PN 32 A	31	20	1.1/4"	63,0	M 45 x 1.5	85,0	50
PN 40 A	38	24	1.1/2"	63,0	M 52 x 1.5	89,0	60
PN 50 A	51	32	2"	40,0	M 65 x 2	107,0	75
PN 60 A	60	40	2.3/8"	40,0	M 78 x 2	112,0	90

HANSA/FLEX

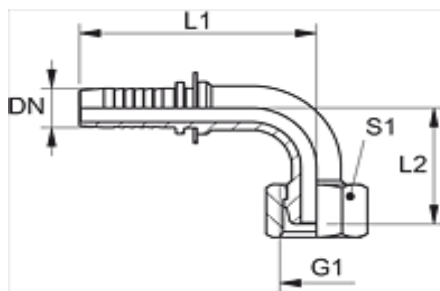
RAKORDERITE ME FILETA METRIKE, tip DKM 45°PN A 45



DKM

Cilësitë	
Aplikimi	Rakord nipples për t'u presuar, për tuba HD 100 deri në HD 400, tuba KP dhe tuba TE
Lidhja 1	Dado me fileta metrike
Forma e izolimit 1	Kokë konike 60°
Kodi i shkurtër	DKM
Standarti	DIN 3863
Materiali	Çelik
Sipërfaqja	E elektro-galvanizuar

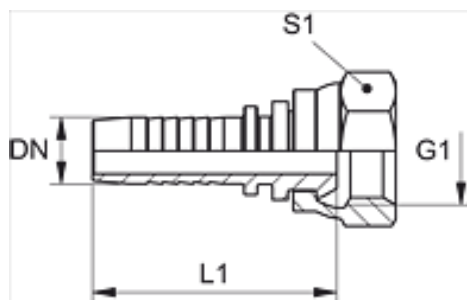
Kodi	DN	Size	Inches	Presioni i punës (bar)	G1	L1 (mm)	L2 (mm)	S1
PN 20 A 45	19	12	3/4"	63,0	M 30 x 1.5	119,0	29,0	36
PN 25 A 45	25	16	1"	63,0	M 38 x 1.5	148,0	39,0	46
PN 32 A 45	31	20	1.1/4"	63,0	M 45 x 1.5	-	-	-
PN 40 A 45	38	24	1.1/2"	63,0	M 52 x 1.5	172,0	44,0	60
PN 50 A 45	51	32	2"	40,0	M 65 x 2	209,0	53,0	75



DKM

Cilësitë	
Aplikimi	Rakord nipples për t'u presuar, për tuba HD 100 deri në HD 400, tuba KP dhe tuba TE
Lidhja 1	Dado me fileta metrike
Forma e izolimit 1	Kokë konike 60°
Kodi i shkurtër	DKM
Standarti	DIN 3863
Materiali	Çelik
Sipërfaqja	E elektro-galvanizuar

Kodi	DN	Size	Inches	Presioni i punës (bar)	G1	L1 (mm)	L2 (mm)	S1
PN 20 A 90	19	12	3/4"	63,0	M 30 x 1.5	109,0	61,0	36
PN 25 A 90	25	16	1"	63,0	M 38 x 1.5	125,0	71,0	46
PN 25 A 32 90	25	16	1"	63,0	M 45 x 1.5	125,0	74,0	50
PN 32 A 90	31	20	1.1/4"	63,0	M 45 x 1.5	144,0	83,0	50
PN 40 A 90	38	24	1.1/2"	63,0	M 52 x 1.5	159,0	94,0	60
PN 50 A 90	51	32	2"	40,0	M 65 x 2	199,0	118,0	75

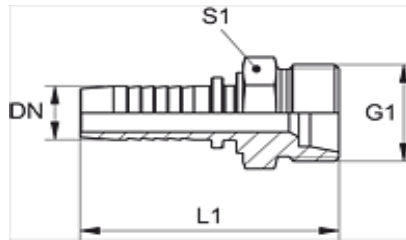


DKM e sheshtë

Cilësitë	
Aplikimi	Rakord nipples për t'u presuar, për tuba HD 100 deri në HD 400, tuba KP dhe tuba TE
Lidhja 1	Dado me fileta metrike
Forma e izolimit 1	me kokë të sheshtë
Kodi i shkurtër	DKM flat
Materiali	Çelik
Sipërfaqja	E elektro-galvanizuar

Kodi	DN	Size	Inches	Presioni i punës (bar)	G1	L1 (mm)	S1
PN 13 AM	12	8	1/2"	250,0	M 22 x 1.5	55,0	27

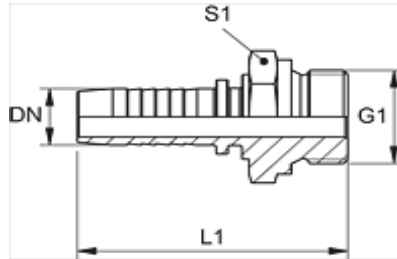
HANSA FLEX



AGM

Cilësitë	
Aplikimi	Rakord nipples për t'u presuar, për tuba HD 100 deri në HD 400, tuba KP dhe tuba TE
Lidhja 1	Fileta metrike mashkull
Forma e izolimit 1	Fole konike 60°
Kodi i shkurtër	AGM
Materiali	Çelik
Sipërfaqja	E elektro-galvanizuar

Kodi	DN	Size	Inches	Presioni i punës (bar)	G1	L1 (mm)	S1
PN 20 H	19	12	3/4"	63,0	M 30 x 1.5	72,5	32



DKM e sheshtë

Cilësitë	
Aplikimi	Rakord nipples për t'u presuar, për tuba HD 100 deri në HD 400, tuba KP dhe tuba TE
Lidhja 1	Fileta metrike mashkull
Forma e izolimit 1	me kokë të sheshtë
Kodi i shkurtër	AGM flat
Standarti	DIN 3852
Materiali	Çelik
Sipërfaqja	E elektro-galvanizuar

Kodi	DN	Size	Inches	Presioni i punës (bar)	G1	L1 (mm)	S1
PN 06 HM 02	6	4	1/4"	250,0	M 10 x 1	50,5	14
PN 06 HM	6	4	1/4"	250,0	M 14 x 1.5	53,0	19
PN 08 HM	8	5	5/16"	250,0	M 16 x 1.5	54,5	22
PN 08 HM 10	8	5	5/16"	250,0	M 18 x 1.5	56,0	24
PN 10 HM 08	10	6	3/8"	250,0	M 16 x 1.5	55,5	22
PN 10 HM	10	6	3/8"	250,0	M 18 x 1.5	57,0	24
PN 13 HM	12	8	1/2"	250,0	M 22 x 1.5	59,5	27
PN 16 HM	16	10	5/8"	160,0	M 26 x 1.5	65,0	32
PN 20 HM	19	12	3/4"	160,0	M 30 x 1.5	74,5	36
PN 25 HM	25	16	1"	100,0	M 38 x 1.5	83,0	46
PN 32 HM	31	20	1.1/4"	100,0	M 45 x 1.5	95,0	55
PN 40 HM	38	24	1.1/2"	100,0	M 52 x 1.5	101,0	60

HANSA FLEX